

DESCRIPTION

AMC MODEL SWM-0318-2DT OPTION: 100M20 IS AN ABSORPTIVE/NON-REFLECTIVE SINGLE POLE TWO THROW GaAs MMIC SWITCH/MODULATOR WITH INTEGRAL TTL DRIVER PACKAGED IN A LOW PROFILE HOUSING.

SPECIFICATIONS

- FREQUENCY RANGE: 0.1 TO 20 GHz
- INSERTION LOSS: 0.1-2 GHz: 2.0 dB MAXIMUM
2-20 GHz: 4.0 dB MAXIMUM
- ISOLATION: 40 dB MINIMUM
- VSWR: 1.8:1
- RISE TIME: 10 nSec MAXIMUM
- FALL TIME: 10 nSec MAXIMUM
- DELAY ON: 20 nSec MAXIMUM
- DELAY OFF: 20 nSec MAXIMUM
- POWER HANDLING: 26 dBm MAXIMUM, 27 dBm TYPICAL
- CONTROL: SEE LOGIC TABLE
- POWER SUPPLY: +7V TO +18V ±5% @ 5 mA MAXIMUM
-7V TO +18V ±5% @ 5 mA MAXIMUM
- CONNECTORS:
 - RF: SMA FEMALE
 - CONTROL: SOLDER PIN
- SIZE: 1.50" (L) x 1.50" (W) x 0.40" (H)
- WEIGHT: 1.5 OUNCE TYPICAL

OPTIONS:

- 100M20: 0.1 TO 20 GHz FREQUENCY RANGE

ENVIRONMENTAL RATINGS:

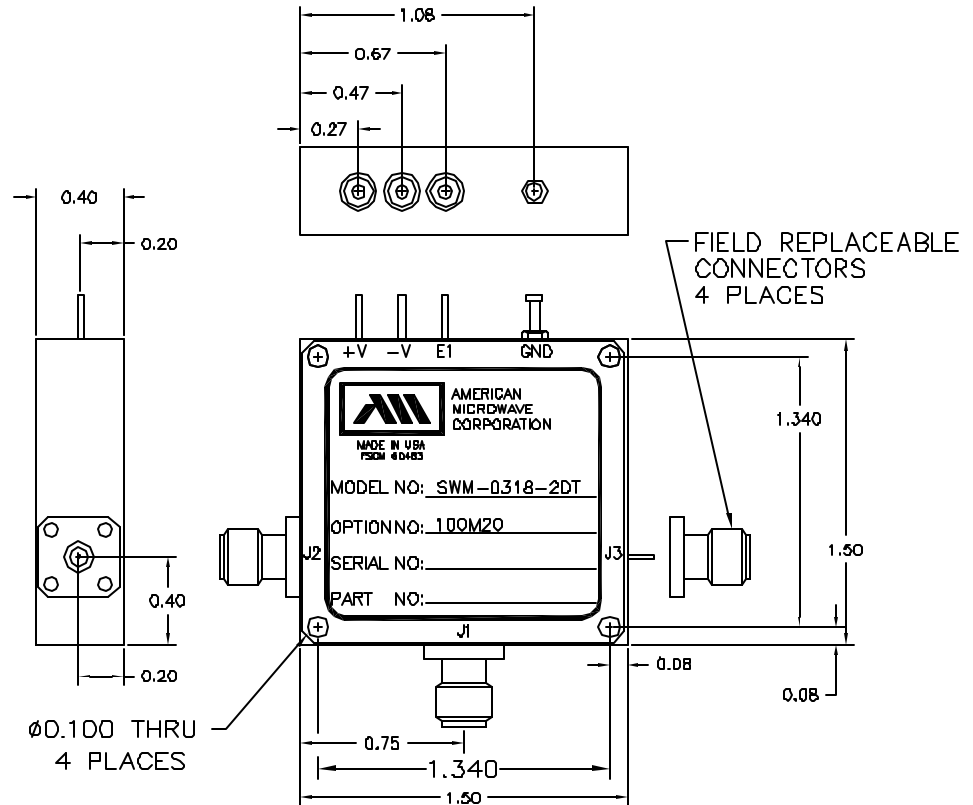
- TEMPERATURE: -55°C TO +85°C (OPERATING)
-65°C TO +125°C (STORAGE)
- HUMIDITY: MIL-STD-202F, METHOD 103B COND. B
- SHOCK: MIL-STD-202F, METHOD 213B COND. B
- VIBRATION: MIL-STD-202F, METHOD 204D COND. B
- ALTITUDE: MIL-STD-202F, METHOD 105C COND. B
- TEMPERATURE CYCLE: MIL-STD-202F, METHOD 107D COND. A

| LOGIC TABLE | | |
|-------------|-------|-------|
| E1 | J1-J2 | J1-J3 |
| 1 | ON | OFF |
| 0 | OFF | ON |

ALL DIMENSIONS ARE IN INCHES
TOLERANCES:
XXX ±0.020
XXX ±0.010

NOTE: SPECIFICATIONS WILL VARY OVER OPERATING TEMPERATURE
NOTE: THE ABOVE SPECIFICATIONS ARE SUBJECT TO CHANGE OR REVISION

| REVISIONS | | | | |
|-----------|------|----------------------------------|---------|----------|
| ZONE | REV. | DESCRIPTION | DATE | APPROVED |
| | - | ORIGINAL RELEASE JOB# 508201XN-1 | 9/16/05 | |



AMERICAN MICROWAVE CORPORATION

7311-G GROVE ROAD
FREDERICK, MARYLAND 21704 USA
TEL: 301-662-4700 FAX: 301-662-4938
WEBSITE: www.americanmicrowavecorp.com
E-MAIL: sales@americanmicrowavecorp.com
ISO 9001:2000 CERTIFIED



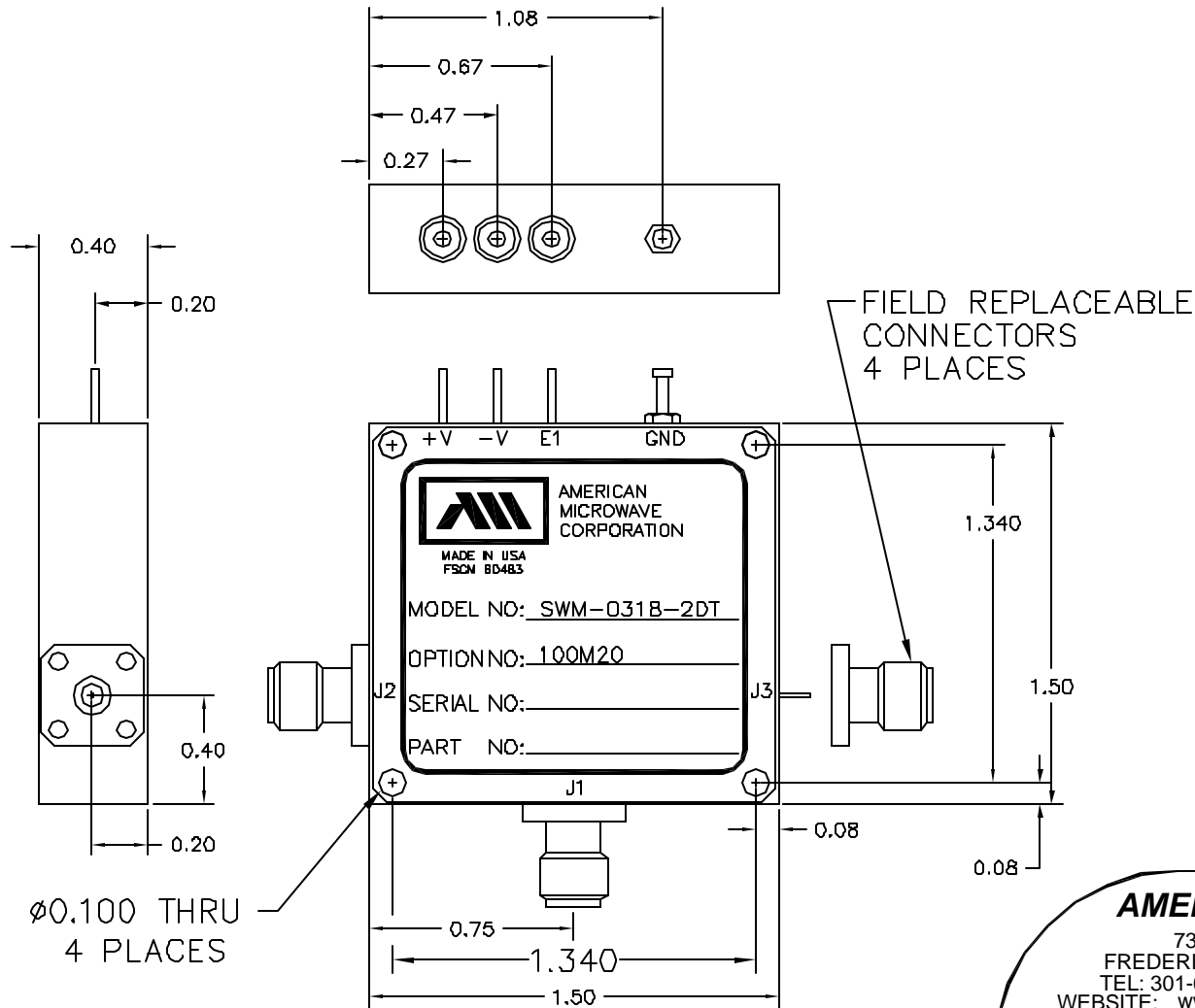
| APPROVALS | | DATE | TITLE | | REV. |
|------------------|--|---------|---|----------|----------|
| DRAWN <i>FDS</i> | | 9/16/05 | PRODUCT FEATURE SWM-0318-2DT OPTION: 100M20 | | - |
| CHECKED | | | SIZE | FSCM NO. | DWG NO. |
| ISSUED | | | A | 60483 | 100-7493 |
| SCALE N:S | | | SHEET 1 OF 4 | | |

DESCRIPTION

AMC MODEL SWM-0318-2DT OPTION: 100M20 IS AN ABSORPTIVE/NON-REFLECTIVE SINGLE POLE TWO THROW GaAs MMIC SWITCH/MODULATOR WITH INTEGRAL TTL DRIVER PACKAGED IN A LOW PROFILE HOUSING.

| REVISIONS | | | | |
|-----------|------|----------------------------------|---------|----------|
| ZONE | REV. | DESCRIPTION | DATE | APPROVED |
| | - | ORIGINAL RELEASE JOB# 508201XN-1 | 9/16/05 | |

MECHANICAL OUTLINE



| E1 | J1-J2 | J1-J3 |
|----|-------|-------|
| 1 | ON | OFF |
| 0 | OFF | ON |

AMERICAN MICROWAVE CORPORATION

7311-G GROVE ROAD
 FREDERICK, MARYLAND 21704 USA
 TEL: 301-662-4700 FAX: 301-662-4938
 WEBSITE: www.americanmicrowavecorp.com
 E-MAIL: sales@americanmicrowavecorp.com
 ISO 9001:2000 CERTIFIED



ALL DIMENSIONS ARE IN INCHES
 TOLERANCES:
 X.XX ±0.020
 X.XXX ±0.010

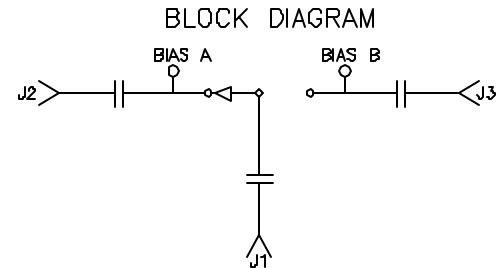
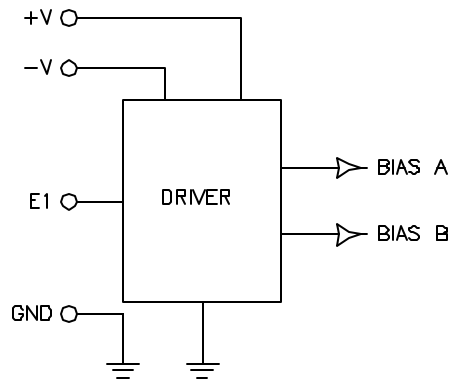
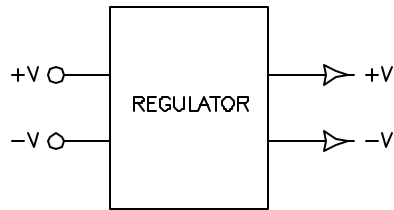
| APPROVALS | | DATE | TITLE | | |
|-----------|------------|---------|--|----------|--------------|
| DRAWN | <i>FDS</i> | 9/16/05 | MECHANICAL OUTLINE SWM-0318-2DT OPTION: 100M20 0.1-20 GHz, SINGLE POLE TWO THROW SWITCH | | |
| CHECKED | | | SIZE | FSCM NO. | DWG NO. |
| ISSUED | | | A | 60483 | 100-7493 |
| | | | SCALE | N:S | SHEET 2 OF 4 |

DESCRIPTION

AMC MODEL SWM-0318-2DT OPTION: 100M20 IS AN ABSORPTIVE/NON-REFLECTIVE SINGLE POLE TWO THROW GaAs MMIC SWITCH/MODULATOR WITH INTEGRAL TTL DRIVER PACKAGED IN A LOW PROFILE HOUSING.

| REVISIONS | | | | |
|-----------|------|----------------------------------|---------|----------|
| ZONE | REV. | DESCRIPTION | DATE | APPROVED |
| | - | ORIGINAL RELEASE JOB# 508201XN-1 | 9/16/05 | |

FUNCTIONAL BLOCK DIAGRAM



AMERICAN MICROWAVE CORPORATION

7311-G GROVE ROAD
 FREDERICK, MARYLAND 21704 USA
 TEL: 301-662-4700 FAX: 301-662-4938
 WEBSITE: www.americanmicrowavecorp.com
 E-MAIL: sales@americanmicrowavecorp.com
 ISO 9001:2000 CERTIFIED



| | | | | |
|------------------|--|---------|--|-----------|
| APPROVALS | | DATE | TITLE | |
| DRAWN <i>FDS</i> | | 9/16/05 | FUNCTIONAL BLOCK DIAGRAM SWM-0318-2DT OPTION: 100M20 | |
| CHECKED | | | SIZE | PSCH. NO. |
| ISSUED | | | A | 60483 |
| | | | DWG. NO. | REV. |
| | | | 100-7493 | - |
| SCALE N:S | | | SHEET 3 OF 4 | |